

ROUND METAL CEILING Loudspeakers with LED strobe



➤ **RCS5/FTSL**

TECHNICAL SPECIFICATIONS

Rated power, Watts	6
Tappings 100 volt line, Watts	6/3/1.5/0.75/0.25
Transformer Impedance, Ohms, 100V	1.67k/3.33k/6.66k/13.3k/39.9k
Tappings 70.7 volt line, Watts	3/1.5/0.75/0.375/0.125
Driver impedance, Ohms	8
Effective frequency range, Hz (BSEN60268-5)	150-18KHz
S.P.L. @ 1m, 1 watt, dB, Test Signal Bandwidth 100Hz-10 kHz	95
S.P.L. @ Full power Octave Bandwidth, dB	102
Acoustic Power (dB-PWL@1 watt) 1 k/2kHz, dB	92/93
Dispersion at 1k/2k Hz, Degrees	180/180
Directivity Axial Q factor, 1k/2kHz	2.1/6.0
Dimensions, diameter, mm	Ø189
Net weight, Kgs	1.3
Colour/Finish	White RAL9016
Material	Steel
Mounting	Torsion springs
Cut-out, mm	Ø164
Voltage, Current - LED Strobe	24vdc Polarized, 6.3mA (0.15W)
Flash of Strobe, Times / Minute	55 - 60
Brightness of Strobe, Lux @ 75mm	57

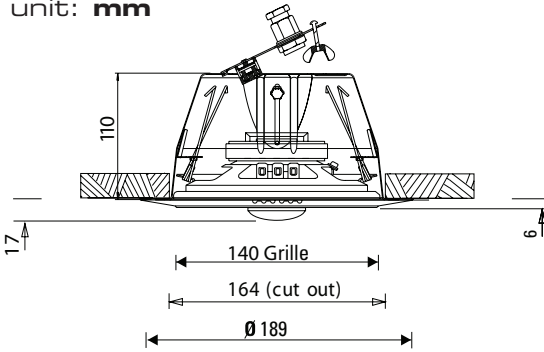
➤ RCS5/FTS is BS5839 Part 8 voice alarm compliant

EASE, CATT, ULYSSES and Architectural specifications are supplied on the disc inserted at the back of this folder
Manufacturer reserves the right to alter specifications without notice – April 2008

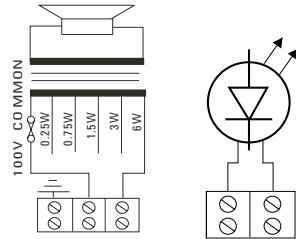
RCS5/FTSL

ROUND METAL CEILING LOUDSPEAKERS
WITH LED STROBE

▼ **RCS5/FTSL**
side view
(gland not supplied)
unit: **mm**



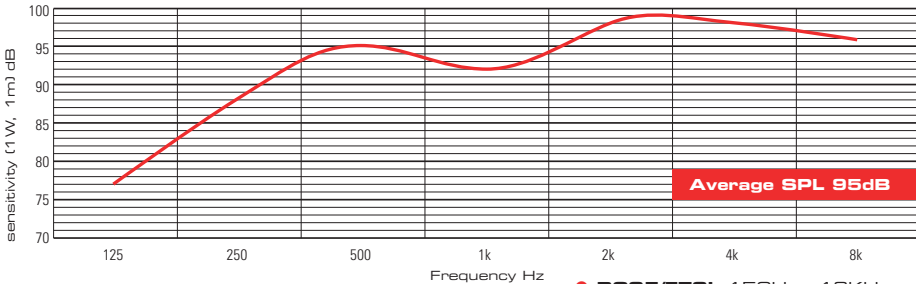
▼ **circuit diagrams**
RCS5/FTSL



24vdc



speech octave band sensitivity



Effective Frequency Range

● **RCS5/FTSL** 150Hz - 18KHz



Penton UK Ltd

Unit 2 Teville Industrials | Dominion Way | Worthing | West Sussex | BN14 8NW
T: +44 (0)1903 215315 | F: +44(0)1903 215415 | E: SALES@PENTONUK.CO.UK

www.penton.org