

GENT
by Honeywell

7: WIRELESS DETECTION

Wireless Transceiver

Gent by Honeywell's wireless technology enables cable free connection of detectors and manual call points to a wired fire alarm system via the wireless transceiver. Up to 32 devices can be connected to each wireless transceiver.

The battery state is checked automatically and early indication of replacement is indicated as a detector fault at the transceiver.

Optimum location and maximum transmission distance is quickly determined using the software commissioning tool facilitating quick and simple installation.

An external dedicated power supply should be installed, this is monitored by the transceiver and failure is reported as a fault. The transceiver is connected to the Vigilon loop via an interface unit (S4-34450) and acts as a conventional zone. Volt free relays provide indication of common fire and fault.

Additional features

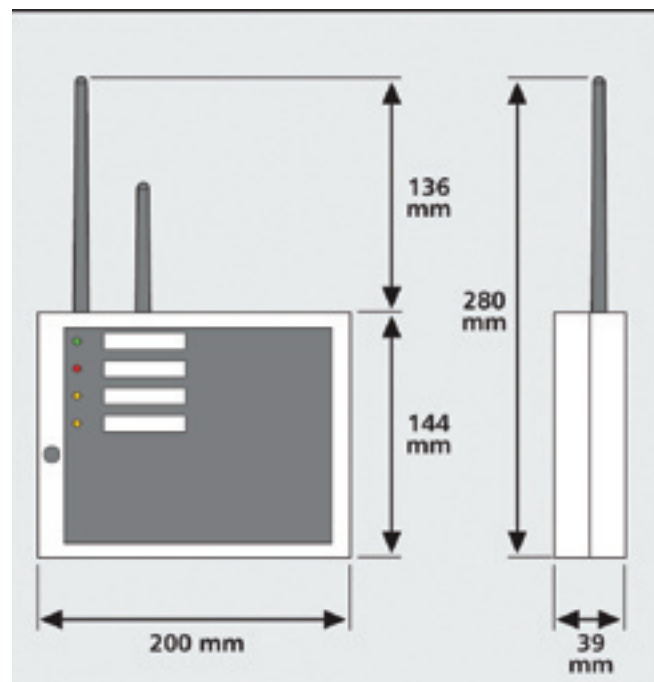
- Radio Frequency communication with up to 32 wireless bases
- Wireless devices can be assigned in up to 32 detector zones
- Volt free contacts for common fault and common fire
- Alarm transmission in accordance with EN54-2



Wireless Transceiver

TECHNICAL SPECIFICATION	
Operating voltage	9-30V DC
Contact load	1A @ 30V DC
Quiescent current@ 12V DC	Approx 17mA
Alarm current@12V DC	Approx 18mA
Operating temperature	-50c to + 55°C
Storage temperature	-10°C to + 60°C
Mechanical protection	IP42
Weight	Approx 250g
Dimensions (W x H x D)	200 x 280 x 39mm (inc. antenna)

Dimensions (mm)



ORDER CODES

Wireless Transceiver

805595