

## 9.1: VIGILON COMPACT VOICE ALARM SYSTEM

## Loop Powered DAU

**GENT**  
by Honeywell

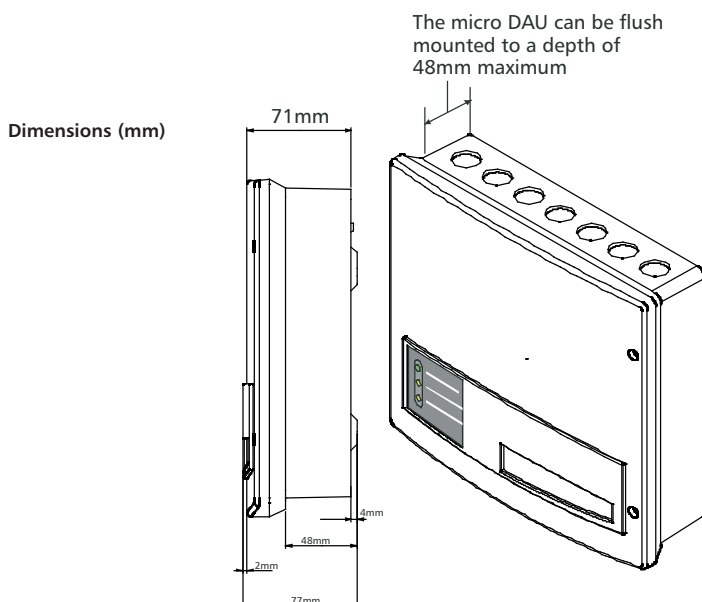


Loop Powered DAU

Each DAU can drive up to 10 64 Ohm high efficiency speakers on two circuits (5 speakers per circuit). The DAUs are wired in a fault tolerant ring configuration, and each DAU has an isolator to protect against short circuits on the analogue audio loop.

Local volume of voice alarm, PA and background music can be adjusted via an IR remote control.

TECHNICAL SPECIFICATION	
Weight	2Kg
Mounting	Wall
Amplifier Load	2 x 12.8 Ohm 10V RMS Output (class D)
Microphone Input Sensitivity	5mV-22mV/10k Ohm (includes AGC)
Aux Input Sensitivity	775mV/600 Ohm (Balanced)
Signal to Noise Ratio	>80dB
Frequency Response	100Hz to 18kHz $\pm$ 3dB
Total Harmonic Distortion	<0.5% @ 1KHz
Power Supply	Loop powered
Auxiliary Relay	Two configurable voltage free contacts rated 1A @ 24Vdc
LED Indication	Audio status – Audio I/P present/power Circuit A Fault – wiring or AMP fault Circuit B fault – wiring or AMP fault



## ORDER CODES

Loop Powered DAU

COMPACT-DAU